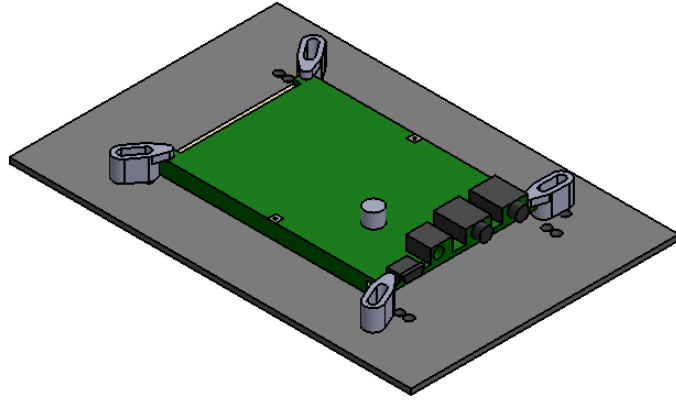
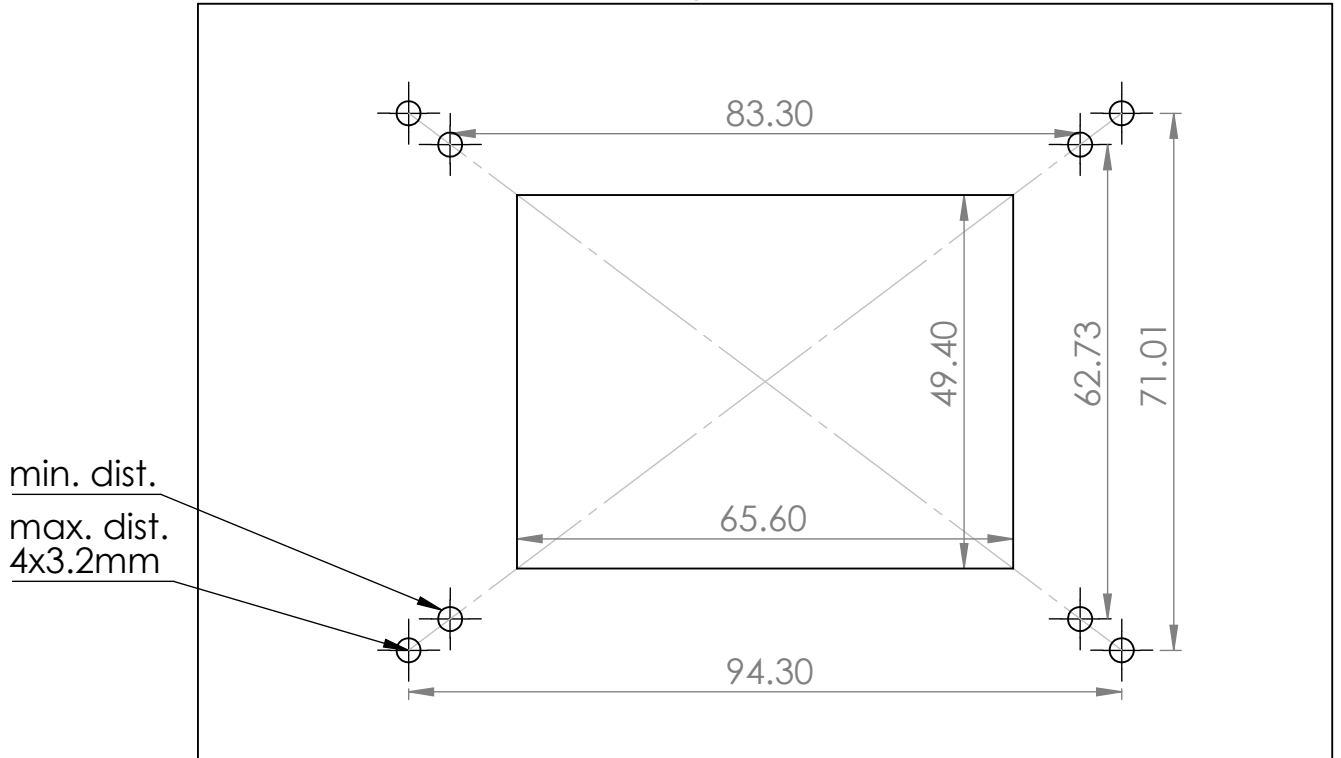


Recommended panel cut and holes



scale: 1:1
can be used
as template

Diagonal holes



Horizontal holes

